

## DPC Series minitype no display pressure switch



### Symbol



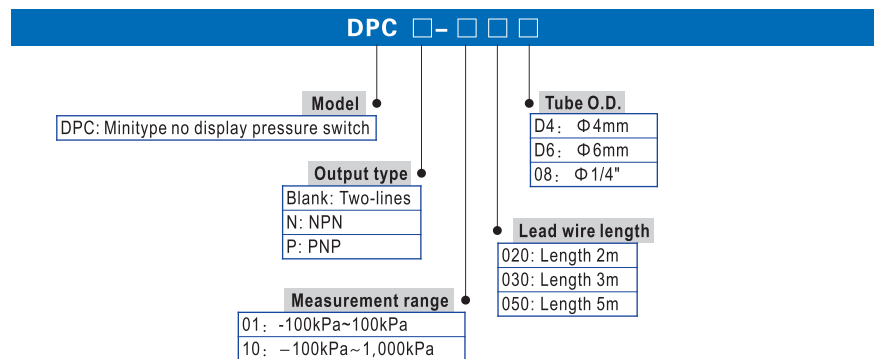
### Product feature

1. Larger measurement range.
2. Single button to finish learning setting.
3. Normally close and normally open can be exchanged.
4. Easy to install.

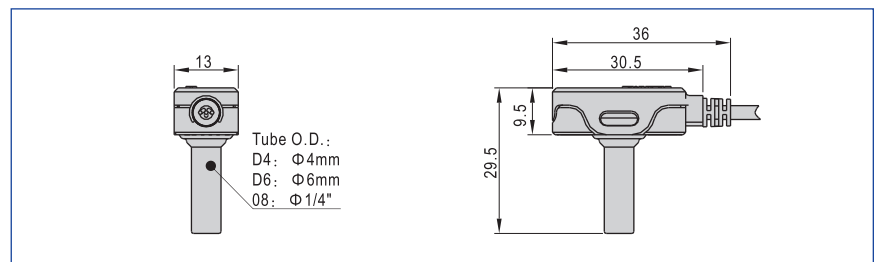
### Specification

Item\Model	DPC	DPCN	DPCP
Voltage	DC12~24V±10%		
Pressure range	DPC□10: -100~1000kPa; DPC□01: -100~100kPa		
Applied fluid	Air、Non-corrosive gas、Incombustibility gas		
Output mode	Two-lines、NPN、PNP、Max.30V-100mA		
Repetitive accuracy	±0.7%F.S		
Temperature accuracy	±2.5%F.S		
Operating Temp. range	0~60℃		
Method of adjusting pressure	Learning button		
Tube O.D.	Φ4mm, Φ6mm, Φ1/4"		
Special function	Two sets model、NO/NC switch		
Protection	IP40		

### Ordering code

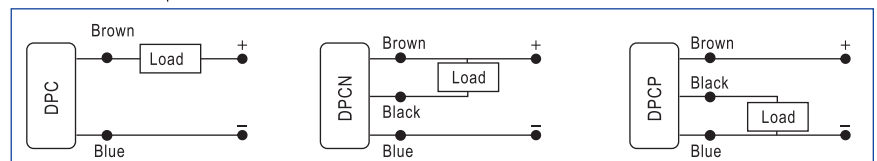


### Dimensions



### Installation and application

#### 1. Connection Example:



#### 2. Function operation:

- 2.1. Quick setting: Press the SET button for less than two seconds to finish quick setting.
- 2.2. Middle valve setting: Press the SET button for two to five seconds to finish setting valve A; Press the SET button again to finish setting valve B.  
\* Middle valve = (A+B)/2 \*
- 2.3. N.O./N.C. switch: Press the SET button for six to ten seconds to finish N.O./N.C. switching.
- 2.4. Lock/Unlock switch: Press the SET button for eleven to twenty seconds to finish Lock/Unlock switching.
- 2.5. Factory-fresh state: Press the SET button for over twenty seconds to return factory-fresh state.

