

## GF Series



### Symbol



### Product feature

1. Unique diversion structure spins the air flowing through to effectively separate the liquid from the air and reliably filter the solid grain.
2. It has low pressure loss, high efficiency in separating water and large drain bowl capacity.
3. Filtering grade includes 5 μm and 40 μm (Optional).
4. Three drain types are available: manual drain, semi-auto drain and automatic drain.
5. The bracket can be selected for installation.

### Specification

Model	GF200-06	GF200-08	GF300-08	GF300-10	GF300-15	GF400-10	GF400-15	GF600-20	GF600-25
Fluid	Air								
Port size	1/8"	1/4"	1/4"	3/8"	1/2"	3/8"	1/2"	3/4"	1"
Filtering grade	40 μm or 5 μm								
Pressure range	Semi-auto and automatic drain: 0.15~0.9MPa(20~130psi); Manual drain: 0.05~0.9MPa(7~130psi)								
Proof pressure	1.5MPa(215psi)								
Temperature range	-5~70°C								
Capacity of drain bowl	10CC		40CC			80CC		230CC	
Weirht	135g		360g			680g		1440g	

① PT thread, NPT thread and G thread are available.

### Ordering code

**GF200 08 M**  **W**

#### Model

GF200: G200 Series Filter  
GF300: G300 Series Filter  
GF400: G400 Series Filter  
GF600: G600 Series Filter

#### Thread type

Blank: PT  
T: N  
G: G

#### Filtering grade

Blank: 40 μm  
W: 5 μm

#### Accessories

Blank: Bracket  
J: No bracket(standard configuration)

#### Port size

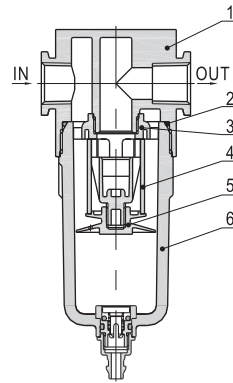
Model	Port size
GF200	06: 1/8"
	08: 1/4"
GF300	08: 1/4"
	10: 3/8"
	15: 1/2"
GF400	10: 3/8"
	15: 1/2"
GF600	20: 3/4"
	25: 1"

#### Drain type

Drain type	Addable product's series
Blank: Semi-auto drain	GF200, GF300
M: Manual drain	GF400, GF600
A: Automatic drain	GF300, GF400, GF600

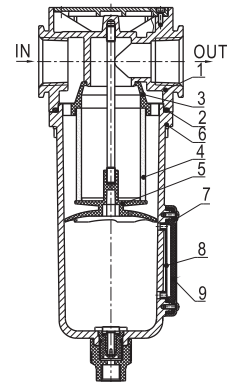
### Inner structure and Material of major parts

#### GF200



Semi-Auto drain

#### GF600

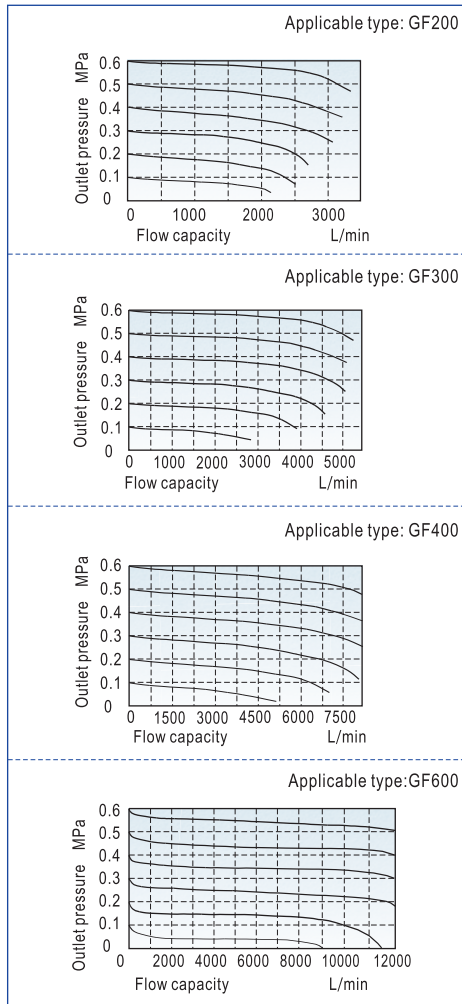


Semi-Auto drain

No.	Item	Material
1	Body	Aluminum alloy
2	O-ring	NBR
3	Air guide	High viscosity POM
4	Filter core	GF600 Agglomerated by bronze grain Others 40 μm: Agglomerated by bronze grain\5 μm: Makrolon fiber
5	Umbrella baffle	High viscosity POM
6	Drain bowl	Aluminum alloy(GF600)\PC(Others)
7	Liquid meter cover	SPCC
8	Liquid meter seal	VITON
9	Liquid meter inside cover	PC

## GF Series

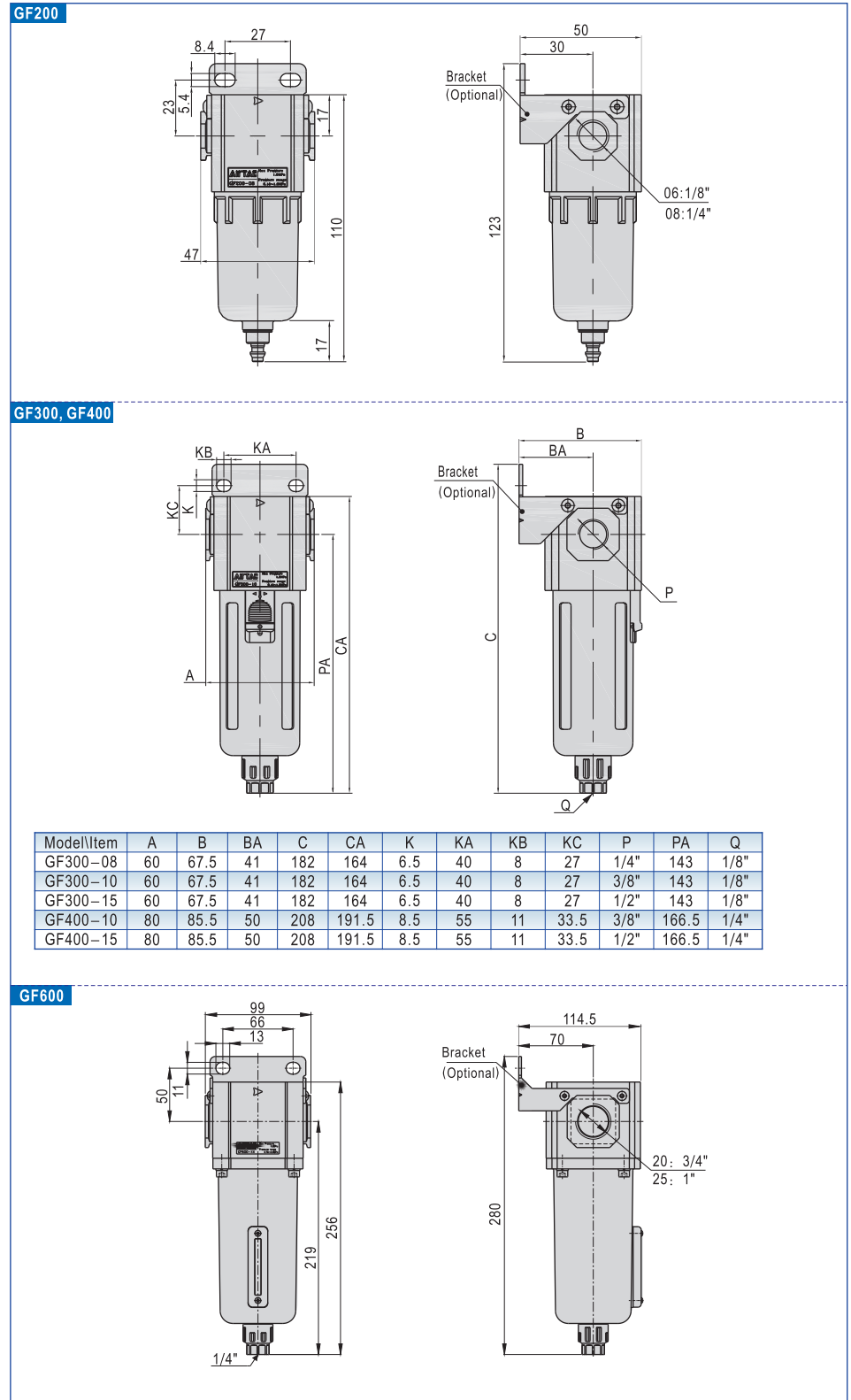
### Flow chart



### Selection of drain mode

GF series drain mode is the same as the GFR series, please refer to the specific P137.

### Dimensions



GF

