

-5°C ÷ 60°C



Working pressure:
10 Bar
Min. working pressure:
1 Bar

Pressure peaks do not exceed the max working pressure



Compressed air



Polyamide PA, polyurethane PU, polyethylene PE

- Body: PA66
- Mesh: Stainless steel AISI 301
- Back ring: PA66
- Seal: NBR
- Lock claw: Stainless steel AISI 301
- Collar: PA66
- Seat ring: Brass
- Holder: POM
- Collet: PA66
- Filter: PE
- Housing: Ottone
- Valve: NBR

SILICONE FREE

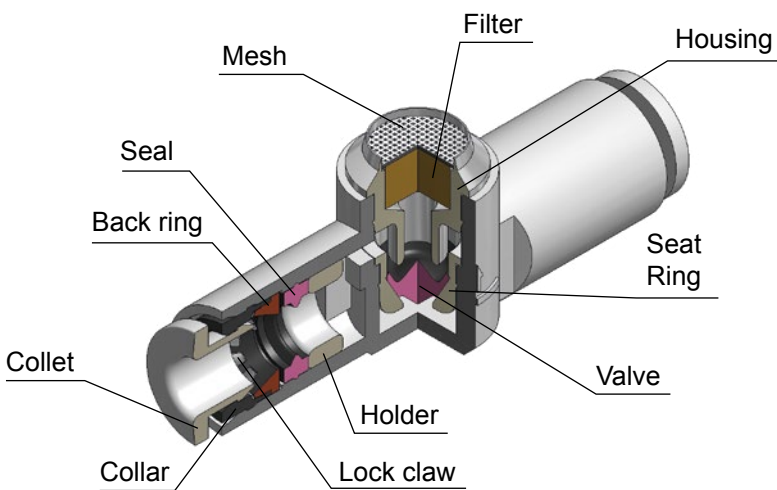


Products in compliance with EC Regulation 1907/2006

RoHS3

Products in compliance with the directive EU 2015/863

CONSTRUCTION DETAILS



PLUS - MEVU

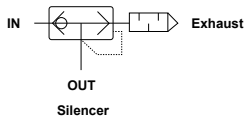
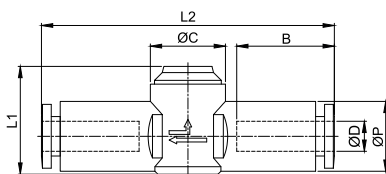
Silenced exhaust to the atmosphere through the incorporated silencer.

Easy assembly thanks to push-in fittings incorporated.

Suitable for multiple applications thanks to light weight and compact size.

MEVU

Quick exhaust valve with silencer



CODE	ØD	ØP	ØC	B	L1	L2	g
MEVU04W	4	9,3	10	13,0	14,4	39,0	4,5
MEVU06W	6	11,5	10	14,5	15,9	41,7	5,5

Section in mm²

CODE	Ø TUBE (mm)	IN - OUT	OUT - EXHAUST
MEVU04W	4	1,7	2,5
MEVU06W	6	2,4	2,7